

1. SAFETY RULES

DETE

DETE GGM 15

DETE GGM 16

DETE GGM 17

DETE GGM 06

DETE Softspray 02

DETE Spritz - Und Lackiersysteme
Dr. Tettenborn GmbH
Steinfeldstraße 15 Postfach 1621
90425 Nürnberg 90007 Nürnberg
Tel. 0911 / 347 70 • Fax 0911 / 3477 40

Instruction manual

1. SAFETY RULES

When using this equipment, you must adhere to the following SAFETY RULES:

- 1.1 Make sure that the equipment, filtering and compressed air are properly connected and that the hoses are in good working condition.
- 1.2 Do not point the spray gun at any animal or person, including yourself.
- 1.3 Always wear suitable clothing to prevent skin contact with the product and certified face masks. If the noise level exceeds 90db(A), ear protection is recommended.
- 1.4 Paint must be applied in areas with sufficient ventilation. DO NOT expose to direct flames, electrical surfaces, lighted cigarettes, glowing materials, etc.
- 1.5 Do not use halogenated hydrocarbon-based cleaning products (1, 1, 1-trichloroethane or methylene chloride) since they could cause chemical reactions when in contact with the aluminium, possibly leading to dangerous explosions.
- 1.6 For any question about the use of a particular product, please consult the manufacturer's instructions.

2. HOW TO USE

Before using the spray gun for the first time, carefully clean the parts that come into contact with the paint since a protective coating is applied after testing procedures are completed.

- 2.1 It is recommended using air hoses with an inner diameter of at least 6 mm.
- 2.2 Prepare the product according to the manufacturer's instructions and filter it properly.
- 2.3 Adjust the air pressure, taking into account the following:
 - Type of product being applied and desired finish:
All products do not react in the same way to the spray air (HS, MS, undercoats, primers, enamels, etc.) and therefore do not require the same pressure for the final finish.
 - Desired fan width and amount of product to be applied.
Reducing the fan width with the control pin could lead to excessively concentrated product, as well as high air pressure. The air pressure and amount quantity of product must be decreased.

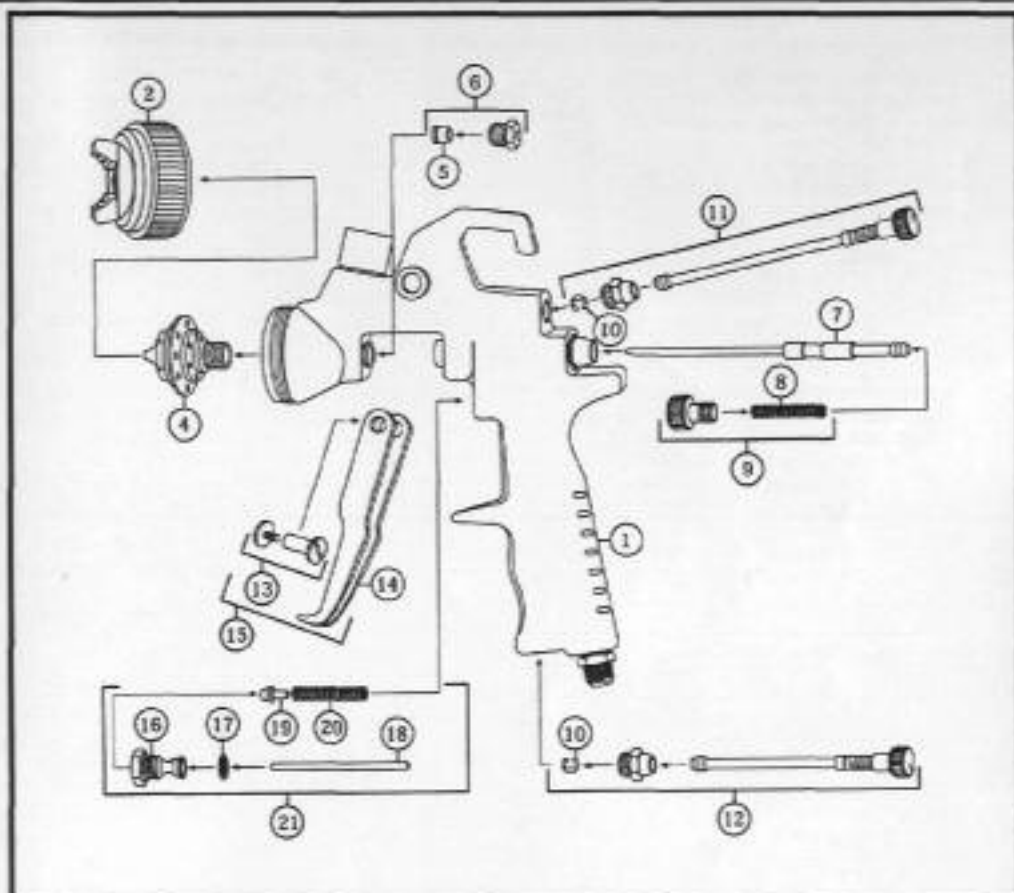
3. CLEANING AND MAINTENANCE

Adequate cleaning and maintenance of all tools are essential to ensure peak performance and excellent yield with all finishes. Therefore we recommended the following:

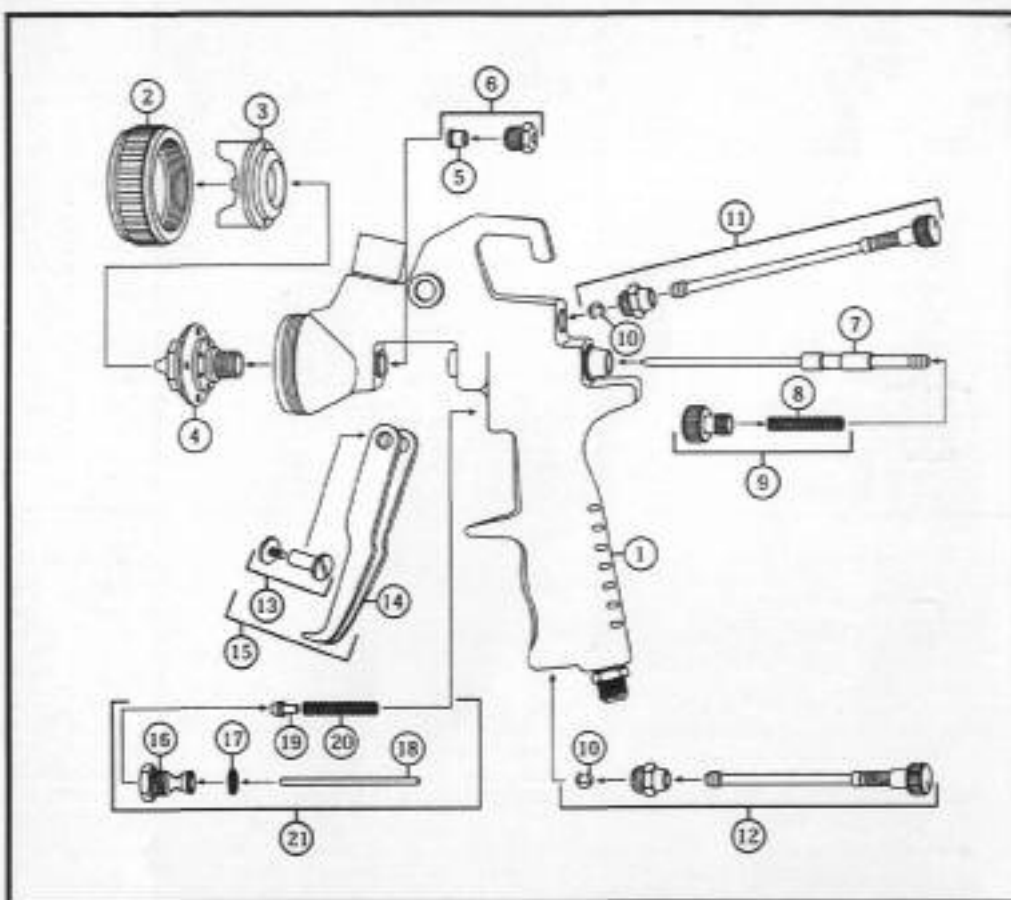
- 3.1 Comply with Point 1.5 when cleaning the spray gun.
- 3.2 Clean the air cap carefully, using a fine paintbrush and solvent and eliminating any residue that could obstruct air flow. Failure to do so may lead to a defective spray fan. Do not use drill bits or wire to clean the holes.
- 3.3 Clean the product chamber carefully to eliminate any paint residue that could damage future work.
- 3.4 Air, fan and product controls do not need to be disassembled for cleaning. Use dry air an filtering to clean these parts.
- 3.5 Lubricate all moving with an anti-silicone lubricating oil.

4. MINOR TROUBLESHOOTING

- | | | |
|------------------------------|---|---|
| 4.1 Gun does not spray | -No product.
-No air pressure.
-Product control knob is closed.
-Air flow control is closed.
-Anti-drip obstructed. | -Check and add.
-Check and correct.
-Check and open.
-Check and open.
-Check and uncover. |
| 4.2 Spraying is intermittent | -Product is too thick.
-Fluid nozzle is poorly tightened or loose.
-Needle gasket is loose or in poor condition. | -Dilute product or increase nozzle.
-Tighten properly.
-Tighten or replace. |
| 4.3 Defective spray pattern | -Dirty nozzle or air cap.
-Nozzle or air cap has been damaged. | -Clean with care, check if nozzle or air cap is in poor condition and replace, if necessary. |
| 4.4 Leaking | -Dirt particles in nozzle.
-Needle gasket is too tight.
-Nozzle and needle are worn.
-Needle spring is worn.
-Product prevents closing. | -Clean.
-Loosen.
-Replace.
-Replace.
-Filter. |

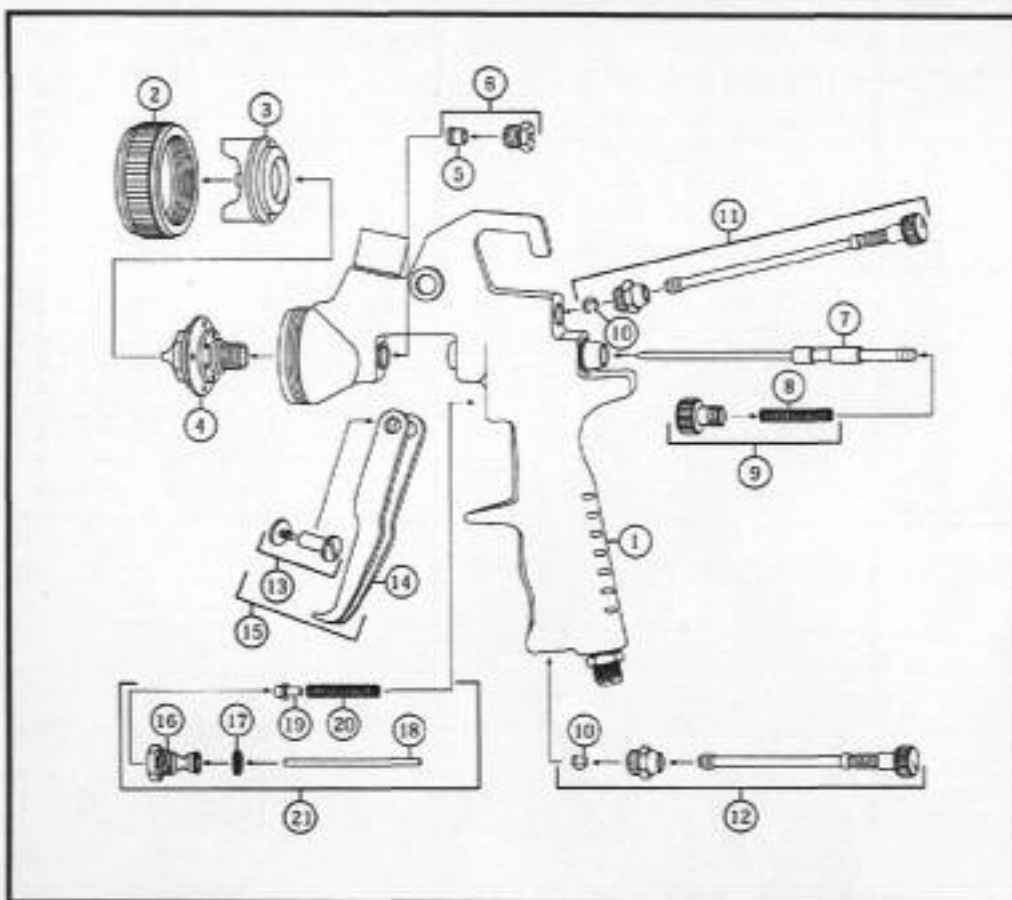


N°	Code	Description	N°	Code	Description
1	20160001	Gun Body	7	20150717	Needle 1,78 mm
2	20160212	Air cap type A 1,3 mm	8	20080008	Needle spring (3u)
2	20160212	Air cap type A 1,4 mm	9	20080009	Fluid regulating control + needle spring
2	20160212	Air cap type A 1,5 mm	10	61000007	Lock clip (6u)
2	20160212	Air cap type A 1,6 mm	11	20150011	Fan Control set
2	20160217	Air cap type A 1,78 mm	12	20080012	Air control set
4	20160413	Nozzle 1,3 mm	13	20080013	Trigger pin
4	20120414	Nozzle 1,4 mm	14	20080014	Trigger
4	20120415	Nozzle 1,5 mm	15	20080015	Complete Trigger set
4	20100416	Nozzle 1,6 mm	16	20080016	Air piston packing holder
4	20100417	Nozzle 1,78 mm	17	20080017	Packing washer
5	20080005	Needle teflon gaskets (6u)	18	20150018	Air Piston (3u)
6	20080006	Needle packing holder	19	20080019	Air cutoff packing (3u)
7	20150712	Needle 1,3 mm	20	20080020	Air piston spring (3u)
7	20150712	Needle 1,4 mm	21	20150021	Air piston set
7	20150712	Needle 1,5 mm			
7	20150712	Needle 1,6 mm			
			2016BR		Kit nozzle/needle/air cap



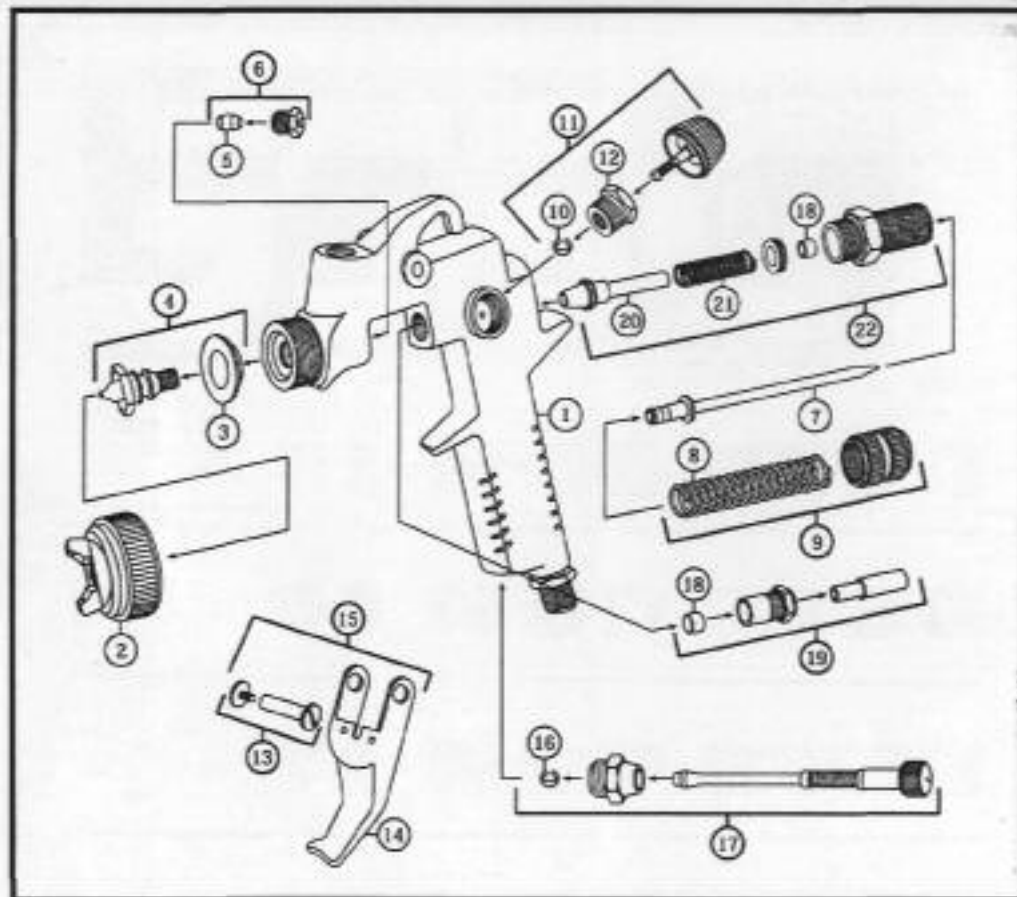
N°	Code	Description
1	20170001	Gun Body
2	20080002	Air cap nut
3	20170313	Air cap type B 1,3 mm
3	20170313	Air cap type B 1,4 mm
3	20170313	Air cap type B 1,5 mm
3	20170317	Air cap type B 1,78 mm
3	20170317	Air cap type B 2,00 mm
4	20150413	Nozzle 1,3 mm
4	20110414	Nozzle 1,4 mm
4	20080415	Nozzle 1,5 mm
4	20080417	Nozzle 1,78 mm
4	20080420	Nozzle 2,00 mm
5	20080005	Needle teflon gaskets (Bu)
6	20080006	Needle packing holder
7	20150712	Needle 1,3 mm
7	20150712	Needle 1,4 mm
7	20150712	Needle 1,5 mm

N°	Code	Description
7	20150717	Needle 1,78 mm
7	20150717	Needle 2,00 mm
8	20080008	Needle spring (3u)
9	20080009	Fluid regulating control
10	61000007	Lock clip (Bu)
11	20150011	Fan Control set
12	20080012	Air control set
13	20080013	Trigger pin
14	20080014	Trigger
15	20080015	Complete Trigger set
16	20080016	Air piston packing holder
17	20080017	Packing washer
18	20150018	Air Piston (3u)
19	20080019	Air cutoff packing (3u)
20	20080020	Air piston spring (3u)
21	20150021	Air piston set
	2017BR	Kit nozzle/needle/air cap

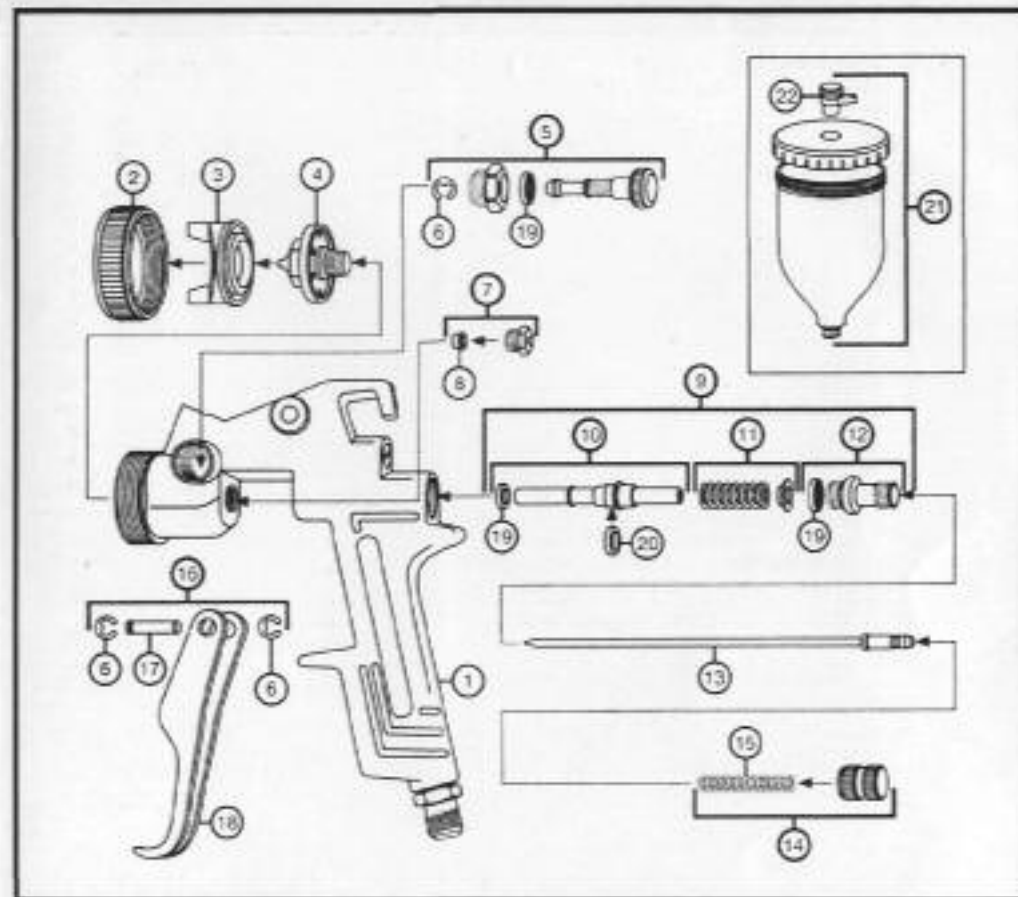


N°	Code	Description
1	20150001	Gun Body
2	20080002	Air cap nut
3	20150312	Air cap type B 1,2 mm
3	20150312	Air cap type B 1,3 mm
3	20150312	Air cap type B 1,4 mm
3	20150312	Air cap type B 1,5 mm
3	20150317	Air cap type B 1,78 mm
4	20110412	Nozzle 1,2 mm
4	20150413	Nozzle 1,3 mm
4	20110414	Nozzle 1,4 mm
4	20080415	Nozzle 1,5 mm
4	20080417	Nozzle 1,78 mm
5	20080005	Needle teflon gaskets (Bu)
6	20080006	Needle packing holder
7	20150712	Needle 1,2 mm
7	20150712	Needle 1,3 mm
7	20150712	Needle 1,4 mm

N°	Code	Description
7	20150712	Needle 1,5 mm
7	20150717	Needle 1,78 mm
8	20080008	Needle spring (3u)
9	20080009	Fluid regulating control + needle spring
10	61000007	Lock clip (Bu)
11	20150011	Fan Control set
12	20080012	Air Control set
13	20080013	Trigger pin
14	20080014	Trigger
15	20080015	Complete Trigger set
16	20080016	Air piston packing holder
17	20080017	Packing washer
18	20150018	Air Piston (3u)
19	20080019	Air cutoff packing (3u)
20	20080020	Air piston spring (3u)
21	20150021	Air piston set
	2015BR	Kit nozzle/needle/air cap



N°	Code	Description	N°	Code	Description
1	20060001	Gun Body	9	20050009	Fluid regulating control
2	20060206	Air cap type B 0,6 mm	10	20050010	Lock clip (Din 3.2)(6u)
2	20060210	Air cap type B 1,0 mm	11	20050011	Fan control set
2	20060215	Air cap type B 1,5 mm	12	20050012	Nut of the fan control set
3	20050003	Distributor (3u)	13	20050013	Trigger pin
4	20060406	Nozzle 0,6 mm	14	20050014	Trigger
4	20050410	Nozzle 1,0 mm	15	20050015	Complete Trigger set
4	20050415	Nozzle 1,5 mm	16	20050016	Lock clip (Din 4)(6u)
5	20050005	Needle teflon gaskets (6u)	17	20050017	Air control set
6	20050006	Needle packing holder	18	20050018	Packing washer
7	20060706	Needle 0,6 mm	19	20050019	Needle guiding cage
7	20050710	Needle 1,0 mm	20	20050020	Air Piston
7	20050715	Needle 1,5 mm	21	20050021	Air piston spring (3u)
8	20050008	Needle spring (3u)	22	20050022	Air piston set
				2006BR	Kit nozzle/needle/air cap



N°	Code	Description	N°	Code	Description
1	21000001	Gun Body	10	21000010	Air piston set
2	21000002	Air cap nut	11	21000011	Spring and washer set (3u)
3	21000315	Air cap 1,5 mm	12	21000012	Air cutoff cap and packing washer set
3	21000320	Air cap 1,78 mm	13	21001315	Needle 1,5 mm
3	21000320	Air cap 2,0 mm	13	21001320	Needle 1,78 mm
3	21000325	Air cap 2,5 mm	13	21001320	Needle 2,0 mm
3	21000330	Air cap 3,0 mm	13	21001325	Needle 2,5 mm
4	21000415	Nozzle 1,5 mm	13	21001330	Needle 3,0 mm
4	21000417	Nozzle 1,78 mm	14	21000014	Fluid regulating control + needle spring
4	21000420	Nozzle 2,0 mm	15	21000015	Needle spring (3u)
4	21000425	Nozzle 2,5 mm	16	21000016	Complete trigger set
4	21000430	Nozzle 3,0 mm	17	21000017	Trigger pin (3u)
5	21000005	Fan Control set	18	21000018	Trigger
6	61000007	Lock clip (6u)	19	21000019	Packing washer
7	33500007	Needle packing holder	20	21000020	Air cutoff packing holder (6u)
8	33500024	Packing washer for needle (6u)	21	10001004	Complete cup 0.75 L
9	21000009	Air piston, spring and cap test	22	21000022	Non-drip cap (10u)
				2100BR	Kit nozzle/needle/air cap